

Instructions



248113 Transformer Repair Kit

309930C

For Transformers used on Reactor™ Proportioners

PROVEN QUALITY. LEADING TECHNOLOGY.


Graco Inc. P.O. Box 1441 Minneapolis, MN 55440-1441
Copyright 2003, Graco Inc. is registered to I.S. EN ISO 9001



Removal


Use FIG. 1 for the following instruction.

WARNING




Repairing this equipment requires access to parts which may cause electric shock or other serious injury if work is not performed properly. Read warnings in Reactor Repair manual. Be sure to shut off all power to the equipment before repairing.

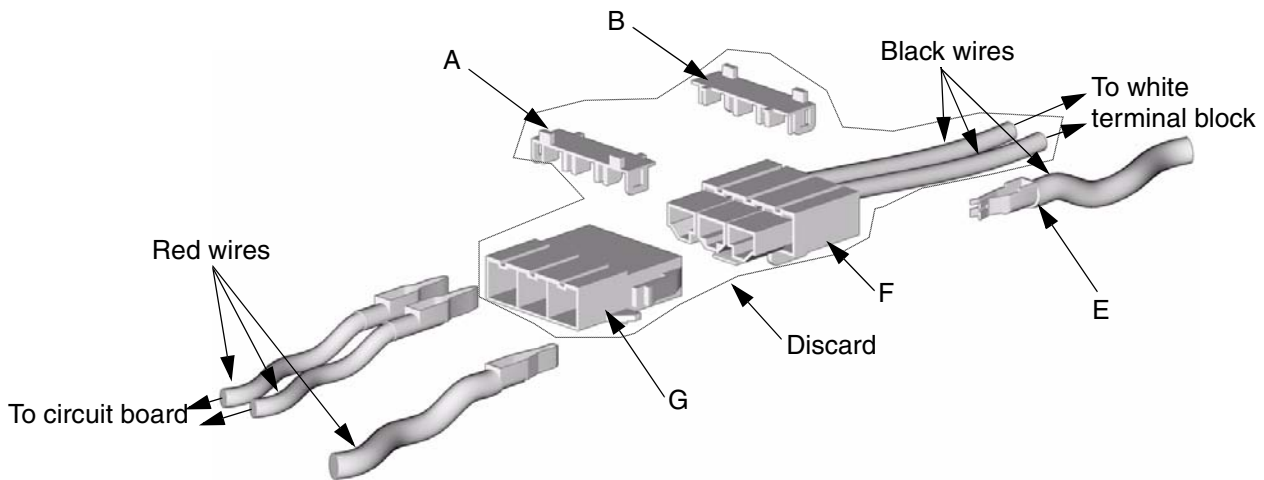
WARNING



Wait 5 min for stored voltage to discharge (E-30 and E-XP2 models only).

1. Turn main power OFF . Disconnect power supply.

2. Remove Reactor front cover.
3. Remove two bolts holding transformer to frame and slide forward for access.
4. Disconnect black, plastic, 3-pin connectors going from back of transformer to circuit board on the left. There are red wires on one side and black on the other.
5. Loosen terminal screws one and two at rear of white terminal block (located at left of transformer wire tap terminal), and pull out black wires coming from back of transformer.



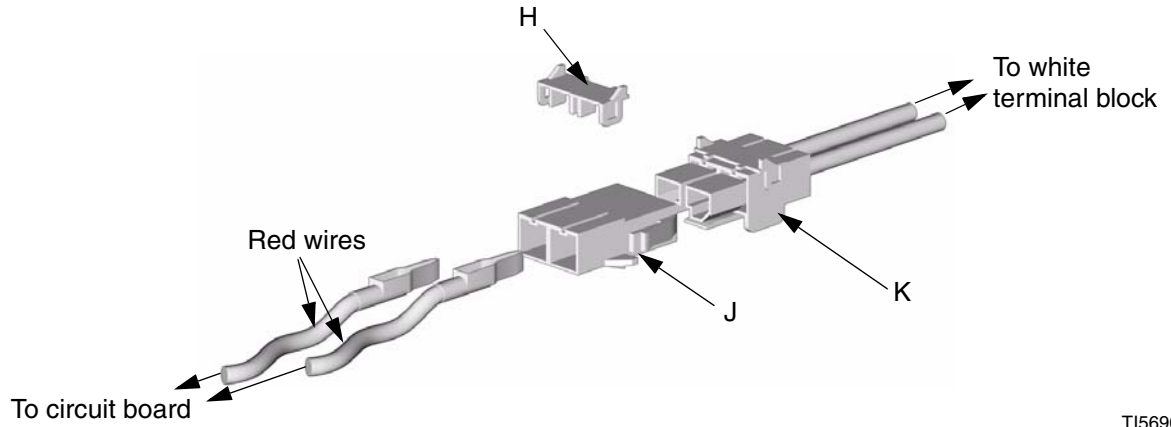
TI5691A

FIG. 1: Removing transformer

6. From the top left of transformer, remove the two screws and nuts and remove white terminal block.
7. From connector (F), remove and discard clamp (B).
8. From connector (F), remove 8-gauge wire #3 (E).
9. Remove and discard connector (F), wires, and white terminal block.
10. From connector (G), remove and discard clamp (A).
11. From connector (G), remove all three red wires.
12. Discard connector (G).

Installation

Use FIG. 2 for the following instruction.

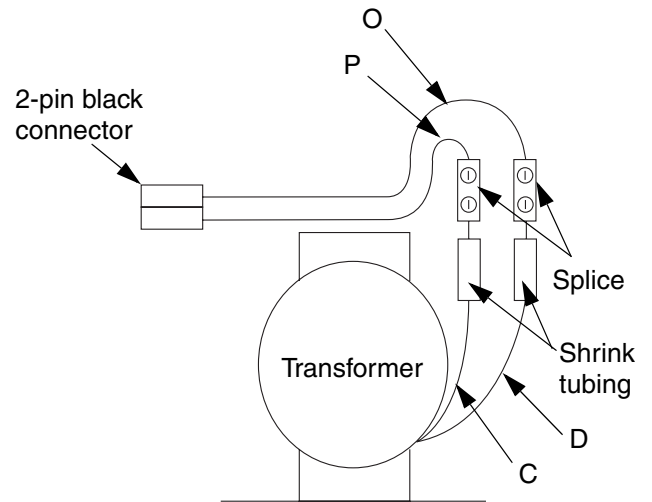
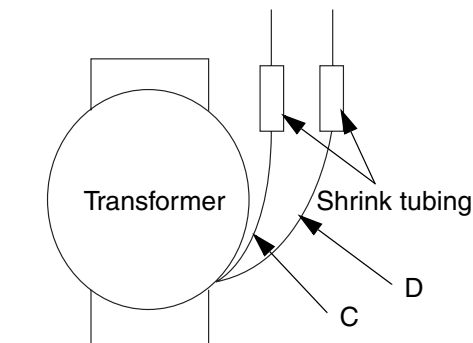


TI5690A

FIG. 2: Installation of new harness

1. Install 12-gauge red wires #1750 and #1730 into new connector (J).
2. Once pins are inserted, install clamp to hold pins to connector.
3. Cut 2 in. off both wires (O, P).
4. Strip 9/16 in. of insulation with 12-gauge wire stripper.
5. Inspect wires. If not black or in burnt condition, continue to step 6. If wires appear black or in burnt condition, repeat steps 3 and 4. Do not exceed 6 in.
6. Install shrink tubing over both wires.

8. Insert wires (O, P) into other end of splice and tighten.

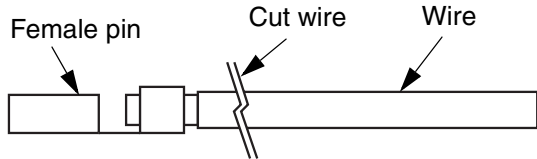
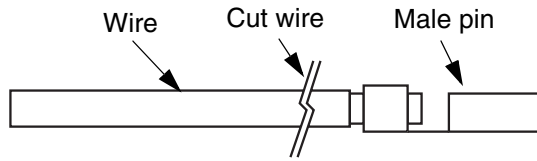


7. Install splice onto the strands of each wire. Tighten screw terminal onto each wire.

9. Slide shrink tubing over splices.
10. Using a heat gun or hair dryer, heat shrink tubing around splice. If neither is available, wrap entire length of shrink tubing with electrical tape.
11. Connect 2-pin black plastic connectors together.

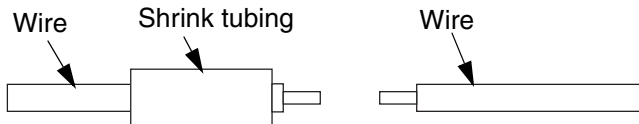
Installation

12. Take larger 8-gauge wires and cut pins from both sides.

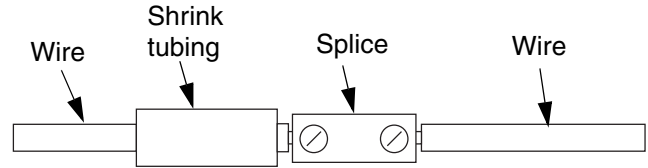


13. Strip 9/16 in. of insulation with 8-gauge wire stripper from both sides.
14. Inspect wires. If not black or in burnt condition, continue to step . If wires appear black or in burnt condition, repeat step 13. Do not exceed 6 in.

15. Install shrink tube over one end.



16. Install splice between the two wires and tighten screws.



17. Slide shrink tube over splice.
18. Using a heat gun or hair dryer, heat shrink tubing around splice. If neither is available, wrap entire length of shrink tubing with electrical tape.
19. Slide transformer back and install bolts to bottom.
20. Replace Reactor front panel.



A series of horizontal lines spanning the width of the page, providing a template for writing or drawing.

Warranty

Graco warrants all equipment referenced in this document which is manufactured by Graco and bearing its name to be free from defects in material and workmanship on the date of sale to the original purchaser for use. With the exception of any special, extended, or limited warranty published by Graco, Graco will, for a period of twelve months from the date of sale, repair or replace any part of the equipment determined by Graco to be defective. This warranty applies only when the equipment is installed, operated and maintained in accordance with Graco's written recommendations.

This warranty does not cover, and Graco shall not be liable for general wear and tear, or any malfunction, damage or wear caused by faulty installation, misapplication, abrasion, corrosion, inadequate or improper maintenance, negligence, accident, tampering, or substitution of non-Graco component parts. Nor shall Graco be liable for malfunction, damage or wear caused by the incompatibility of Graco equipment with structures, accessories, equipment or materials not supplied by Graco, or the improper design, manufacture, installation, operation or maintenance of structures, accessories, equipment or materials not supplied by Graco.

This warranty is conditioned upon the prepaid return of the equipment claimed to be defective to an authorized Graco distributor for verification of the claimed defect. If the claimed defect is verified, Graco will repair or replace free of charge any defective parts. The equipment will be returned to the original purchaser transportation prepaid. If inspection of the equipment does not disclose any defect in material or workmanship, repairs will be made at a reasonable charge, which charges may include the costs of parts, labor, and transportation.

THIS WARRANTY IS EXCLUSIVE, AND IS IN LIEU OF ANY OTHER WARRANTIES, EXPRESS OR IMPLIED, INCLUDING BUT NOT LIMITED TO WARRANTY OF MERCHANTABILITY OR WARRANTY OF FITNESS FOR A PARTICULAR PURPOSE.

Graco's sole obligation and buyer's sole remedy for any breach of warranty shall be as set forth above. The buyer agrees that no other remedy (including, but not limited to, incidental or consequential damages for lost profits, lost sales, injury to person or property, or any other incidental or consequential loss) shall be available. Any action for breach of warranty must be brought within two (2) years of the date of sale.

GRACO MAKES NO WARRANTY, AND DISCLAIMS ALL IMPLIED WARRANTIES OF MERCHANTABILITY AND FITNESS FOR A PARTICULAR PURPOSE, IN CONNECTION WITH ACCESSORIES, EQUIPMENT, MATERIALS OR COMPONENTS SOLD BUT NOT MANUFACTURED BY GRACO. These items sold, but not manufactured by Graco (such as electric motors, switches, hose, etc.), are subject to the warranty, if any, of their manufacturer. Graco will provide purchaser with reasonable assistance in making any claim for breach of these warranties.

In no event will Graco be liable for indirect, incidental, special or consequential damages resulting from Graco supplying equipment hereunder, or the furnishing, performance, or use of any products or other goods sold hereto, whether due to a breach of contract, breach of warranty, the negligence of Graco, or otherwise.

FOR GRACO CANADA CUSTOMERS

The Parties acknowledge that they have required that the present document, as well as all documents, notices and legal proceedings entered into, given or instituted pursuant hereto or relating directly or indirectly hereto, be drawn up in English. Les parties reconnaissent avoir convenu que la rédaction du présente document sera en Anglais, ainsi que tous documents, avis et procédures judiciaires exécutés, donnés ou intentés, à la suite de ou en rapport, directement ou indirectement, avec les procédures concernées.

Graco Phone Numbers

TO PLACE AN ORDER, contact your Graco distributor, or call this number to identify the distributor closest to you:

1-800-328-0211 Toll Free

612-623-6921

612-378-3505 Fax

*All written and visual data contained in this document reflects the latest product information available at the time of publication.
Graco reserves the right to make changes at any time without notice.*

This manual contains English. MM 309930

Graco Headquarters: Minneapolis

International Offices: Belgium, China, Japan, Korea

GRACO INC. P.O. BOX 1441 MINNEAPOLIS, MN 55440-1441

www.graco.com

309930C 8/2003, Revised 12/2006